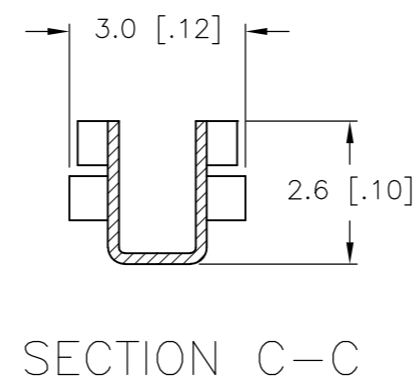
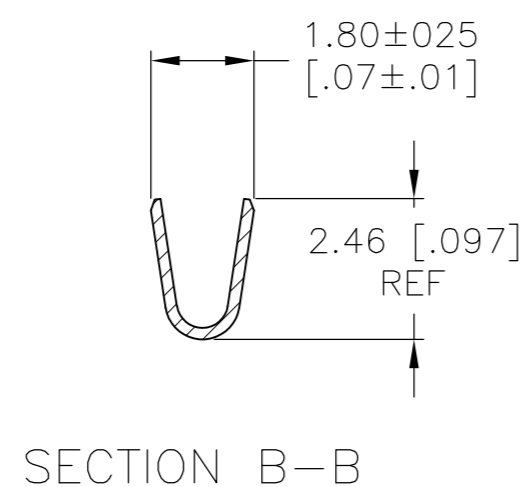
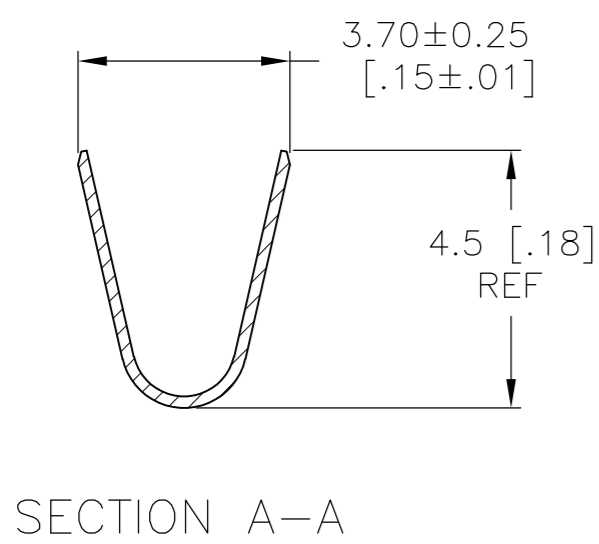
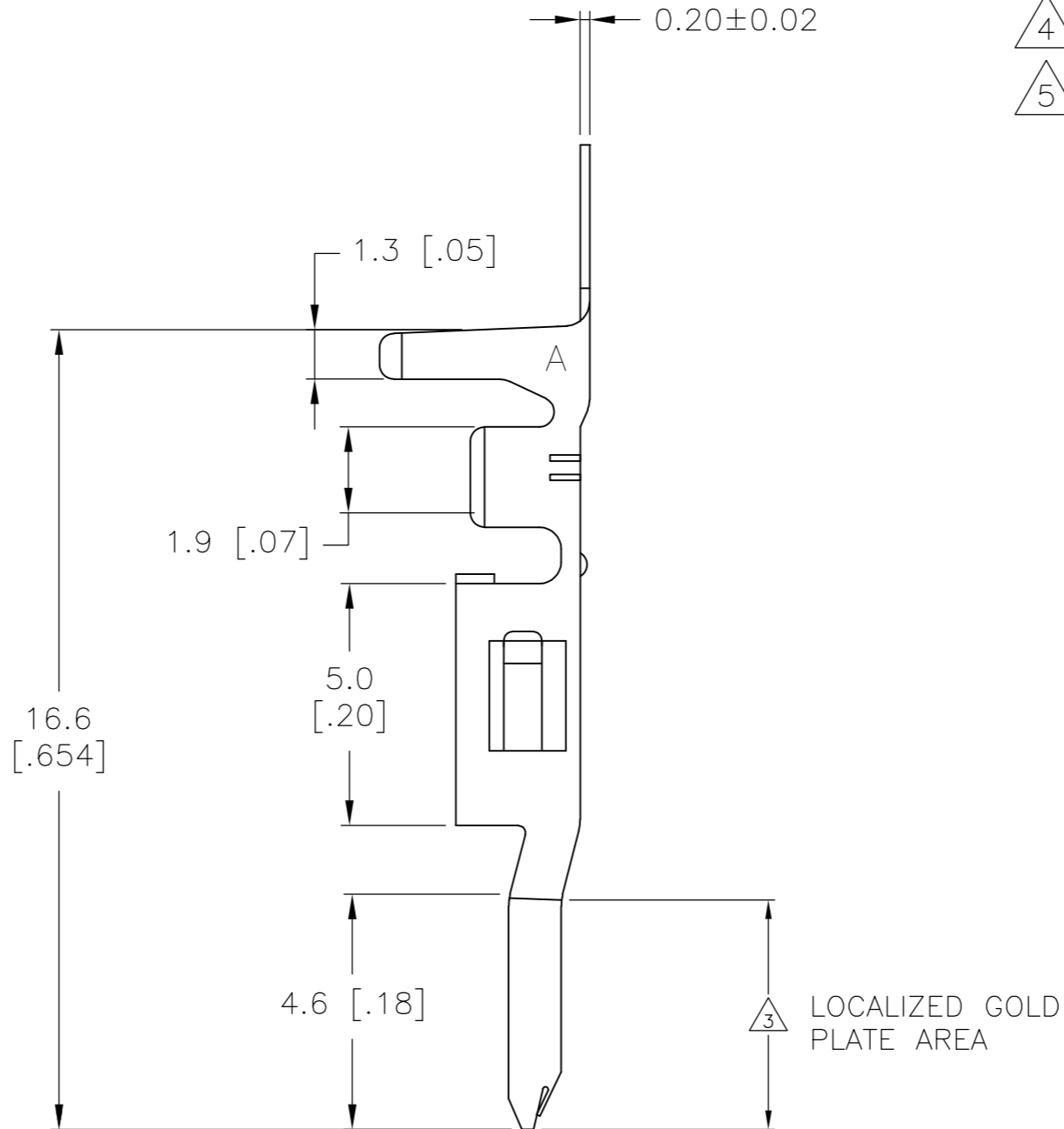
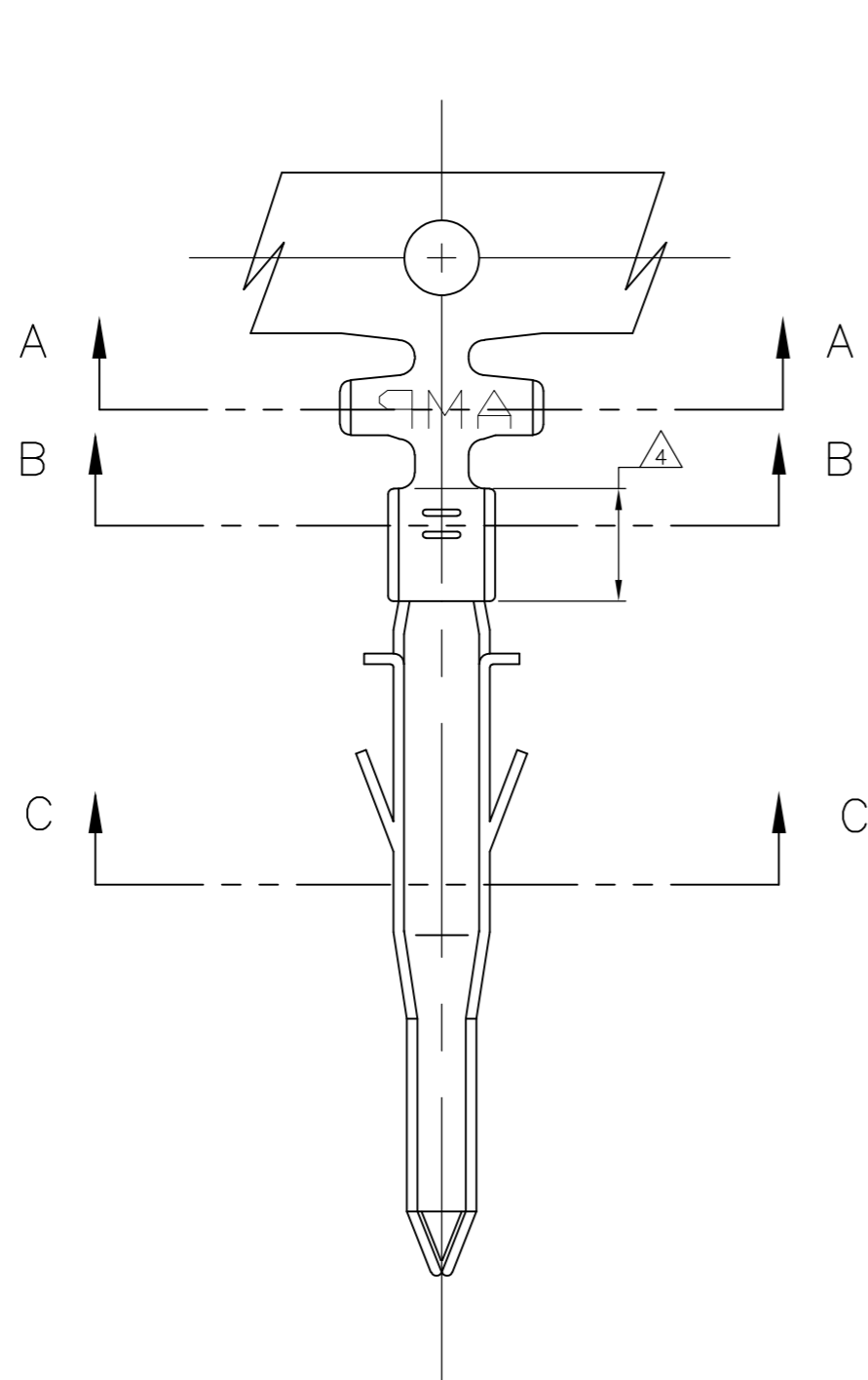


THIS DRAWING IS UNPUBLISHED. RELEASED FOR PUBLICATION
 © COPYRIGHT - By - ALL RIGHTS RESERVED.

LOC		DIST		REVISIONS			
P	LTR	DESCRIPTION		DATE	DWN	APVD	
CM	00	H4		REVISED PER ECR-16-000306	12JAN2016	NK	DC

- 1 WIRE RANGE: 0.3-0.82mm² (22-18 AWG)
- 2 INSULATION RANGE: 1.50 - 3.10 DIA.
- 3 FINISH: 0.76μm MINIMUM GOLD IN LOCALIZED GOLD PLATE AREA OVER 1.27μm MINIMUM NICKEL.
- 4 FINISH: 2.54μm MINIMUM PRE-TIN IN LOCALIZED TIN PLATE AREA.
- 5 FINISH: 2.54μm MINIMUM PRE-TIN ALL OVER.



GOLD 3 4	PHOS. BRZ.	794955-4
PRE-TIN 5	PHOS. BRZ.	794955-3
GOLD 3 4	BRASS	794955-2
PRE-TIN 5	BRASS	794955-1
FINISH	MATERIAL	PART NO.

THIS DRAWING IS A CONTROLLED DOCUMENT.		DWN S. HAMM 07-SEP-2001		
DIMENSIONS: mm [INCHES]		CHK D. COLEY 07-SEP-2001		
TOLERANCES UNLESS OTHERWISE SPECIFIED:		APVD D. COLEY 07-SEP-2001	NAME	
0 PLC ±		PRODUCT SPEC 108-2112	TERMINAL PIN VAL-U-LOK(TM)	
1 PLC ± 0.25 [.010]		APPLICATION SPEC 114-13172	SIZE A2	CAGE CODE 00779
2 PLC ± 0.15 [.006]		WEIGHT	DRAWING NO C=794955	RESTRICTED TO -
3 PLC ±		CUSTOMER DRAWING	SCALE 10:1	SHEET 1 OF 1
4 PLC ±			REV H4	
ANGLES ±				
FINISH				